

# Owners & Installation



## *Freestanding Woodstove*

*Vancouver*

Model: F2402M

# Manual



**PLEASE KEEP THESE INSTRUCTIONS  
FOR FUTURE REFERENCE**

**WARNING:**

Improper installation, adjustment, alteration, service or maintenance can cause injury or property damage. Refer to this manual. For assistance or additional information consult an authorised installer, service agency or the gas supplier.

**FOR YOUR SAFETY**

Do not store or use gasoline or other flammable vapours and liquids in the vicinity of this or any other appliance.

Installation and service must be performed by an authorised installer, service agency or the gas supplier.

**FOR YOUR SAFETY**

What to do if you smell gas:

- Do not try to light any appliance
- Do not touch any electrical switch: do not use any phone in your building.
- Immediately call your gas supplier from a neighbour's phone. Follow the gas supplier's instructions.
- If you cannot reach your gas supplier, call the fire department.

---

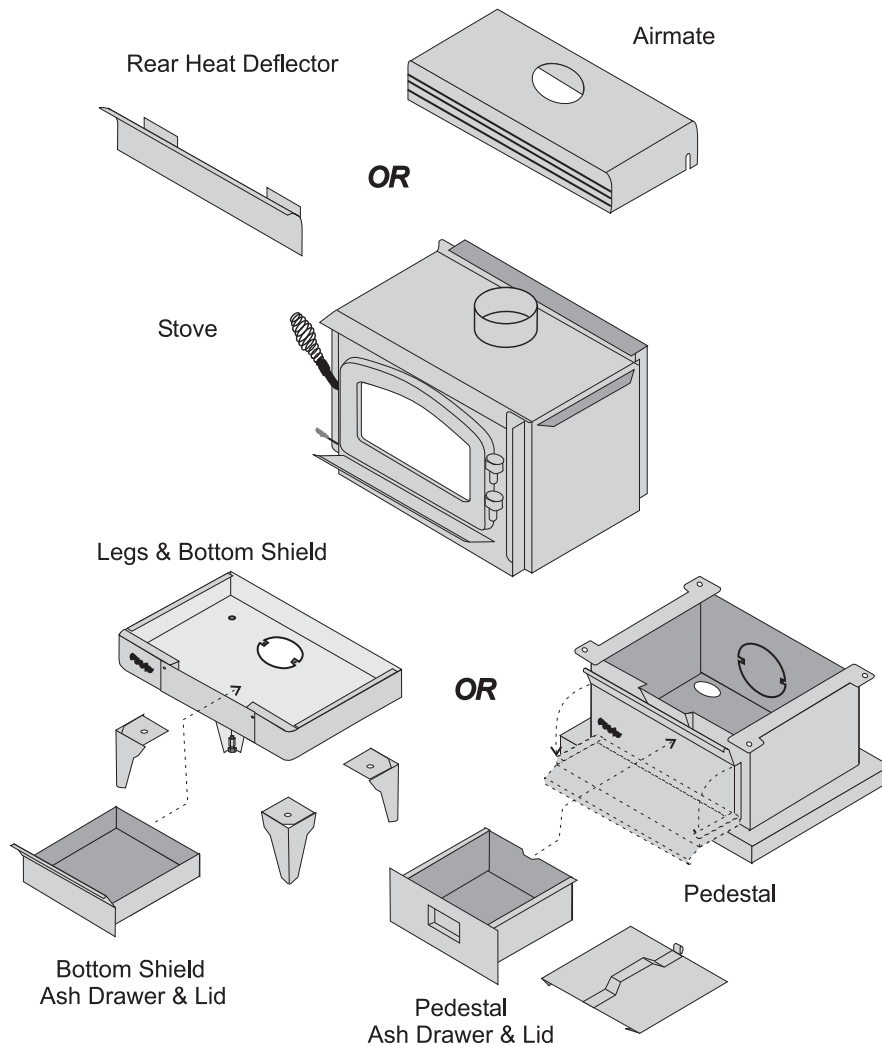
Thank-you for purchasing a  
**REGENCY FIREPLACE PRODUCT.**

The pride of workmanship that goes into each of our products will give you years of trouble-free enjoyment. Should you have any questions about your product that are not covered in this manual, please contact the **REGENCY DEALER** in your area.

Keep those **REGENCY FIRES** burning.

**SAFETY NOTE:** If this woodstove is not properly installed, a house fire may result. For your safety, follow the installation instructions, contact local building, fire officials, or authority having jurisdiction about restrictions and installation inspection requirements in your area.

The authority having jurisdiction should be consulted before installation to determine the need to obtain a permit.



**Modular Parts**

# TABLE OF CONTENTS

## THE REGENCY FREESTANDING WOOD STOVE

### SAFETY LABEL

Copy of Data Badge .....	4
--------------------------	---

### INSTALLATION

Unit Dimensions .....	5
Residential Installation.....	6
Modular Installation Options.....	6
Minimum Clearance to Combustibles.....	7
Minimum Alcove Clearances .....	8
Floor Protection .....	8
Stove Assembly Prior to Installation .....	9
Airmate Assembly.....	9
Rear Heat Deflector Assembly .....	9
Pedestal Assembly .....	9
Leg and Bottom Shield Assembly.....	10
Chimney & Connector Installation .....	10
Masonry Chimney.....	11
Masonry Fireplace.....	11
Factory Built Chimney .....	11
Combustible Wall Chimney	
Connector Pass-Throughs .....	12
Recommended Height for Woodstove Flue.....	13
Flue Height Table.....	13
Mobile Home Installation .....	14
Methods to Maintain Ventilation.....	14
Listed Components for Mobile Home Installation	
- U.S. Installations .....	15
- Canadian Installations.....	15
Flue Baffle & Secondary Air Tube Installation .....	15
Brick Installation .....	16
Door Handle .....	16
Glass Installation .....	16

### Optional Accessories Installation

- Pedestal Ash Drawer Kit .....	16
- Bottom Shield Ashdrawer Kit.....	16
- Screen Door .....	16
- Blower/Fan .....	17
- Blower/Fan Wiring Diagram .....	17

### OPERATING INSTRUCTIONS

Operating Instructions .....	18
Draft Control .....	18
First Fire .....	18
Fan Operation.....	19
Ash Disposal.....	19
- Safety Precautions .....	19
- Ash Drawer Operating Guidelines.....	19
Safety Guidelines .....	19

### MAINTENANCE

Maintenance .....	20
Creosote.....	20
- Ways to Prevent & Keep Units Free of Creosote.....	20
Maintenance of Gold Doors.....	20
Glass Maintenance.....	20
Latch Adjustment.....	20
Door Gasket .....	20
Wood Storage.....	20

### PARTS LIST

Main Assembly .....	21
Pedestal, Bottom Shield and Legs .....	22
Firebrick.....	23

### WARRANTY

Warranty .....	27
----------------	----

# SAFETY LABEL

This is a copy of the label that accompanies each Regency Freestanding Woodstove (F2402M). We have printed a copy of the contents here for your review.

**NOTE:** Regency units are constantly being improved. Check the label on the unit and if there is a difference, the label on the unit is the correct one.

## Regency Freestanding Woodfire

**Model: F2402M**

TESTED TO AS/NZS 4013:1999

TEST REPORT NUMBER: ATL18-04

MAXIMUM AVERAGE HEAT OUTPUT  
BURNING HARDWOOD: 9.9kW

OVERALL AVERAGE EFFICIENCY  
BURNING HARDWOOD: 63%

WHEN TESTED IN ACCORDANCE  
WITH AS/NZS 4012

TESTED BY AHHA TESTLAB STIRLING  
ST THEBARTON SA 5031 (2004)

Distributed by:

Western Australia  
Australian Heating  
Distributors Pty. Ltd.  
31 Clune St.  
Bayswater, WA, 6053

Eastern Australia  
Fireplace Products  
Australia Pty. Ltd.  
1 Conquest Way  
Hallam, VIC 3803

Manufactured by:

FPI Fireplace International Ltd.  
6988 Venture St.  
Delta, BC Canada V4G 1H4

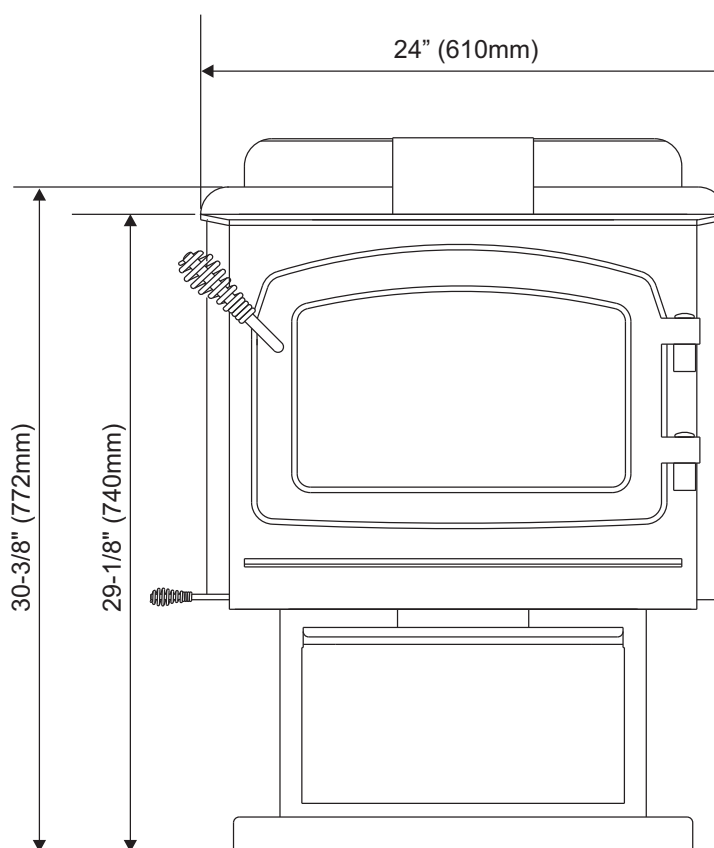
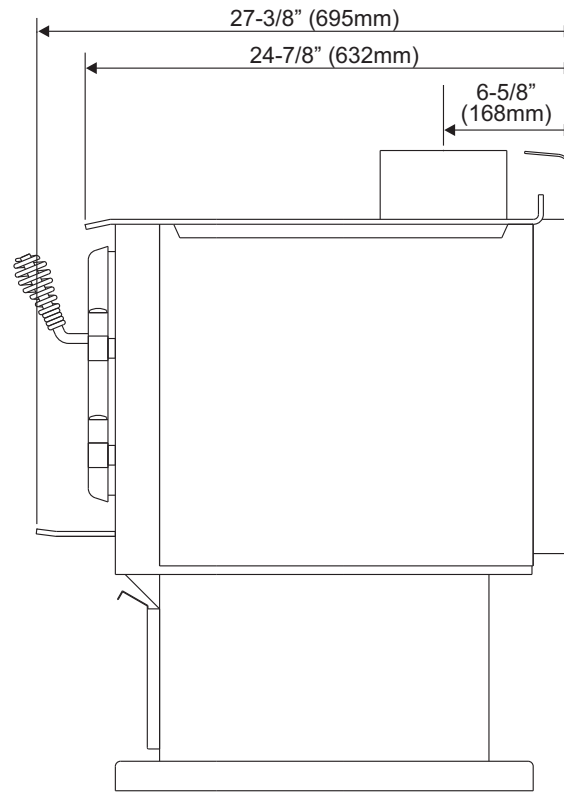
Date of Manufacture:

JAN	FEB	MAR	APR	MAY	JUN	JUL	AUG	SEP	OCT	NOV	DEC	2014	2015	2016
<input type="checkbox"/>	<input type="checkbox"/>	<input type="checkbox"/>	<input type="checkbox"/>	<input type="checkbox"/>	<input type="checkbox"/>	<input type="checkbox"/>	<input type="checkbox"/>	<input type="checkbox"/>	<input type="checkbox"/>	<input type="checkbox"/>	<input type="checkbox"/>	<input type="checkbox"/>	<input type="checkbox"/>	<input type="checkbox"/>

Serial Number **279**

918-626a

# UNIT DIMENSIONS



# INSTALLATION

## RESIDENTIAL INSTALLATION

- 1) Please read this entire manual before you install and use your new woodstove. Failure to follow instructions may result in property damage, bodily injury or even death. Be aware that local Codes and Regulations may override some items in this manual. Check with your local inspector.
- 2) Select a position for your Regency Stove. Consult the minimum clearance chart for your model and set the stove in place. For close clearance installation use listed double wall connector systems.
- 3) To insure vertical alignment, suspend a plumb bob from the ceiling over the exact center of your stove flue and mark a spot on the ceiling to indicate the center of the chimney.
- 4) Check that the area above the ceiling is clear for cutting. Re-confirm the clearance from the stove to combustibles to insure that they are within the prescribed limits.
- 5) This woodstove must be connected to a UL 103 HT (ULC S629) listed chimney or a code approved masonry chimney with a flue liner.
- 6) Install chimney according to chimney manufacturers instructions. The performance of your woodstove is governed to a very large part by the chimney system. Too short a chimney can cause difficult start-up, dirty glass, backsmoking when door is open, and

even reduced heat output. Too tall a chimney may prompt excessive draft which can result in very short burn times and excessive heat output. The use of an inexpensive flue pipe damper may be helpful in reducing excessive draft.

**CAUTION:** The chimney should be the same size as the 6" flue outlet on the stove. The chimney must be listed as suitable for use with solid fuels. For other types of chimneys check with your local building code officials. Do not confuse a chimney with a type "B" Venting System used for gas appliances as suitable for a wood burning appliance. For Mobile Home installations refer to that section on page 14.

- 7) Mark the location of the pedestal base or legs on the floor, then move the stove aside and mark the position of the floor protector.
- 8) The floor protector must be of non-combustible material and must extend 16" in front of the door opening and 6" to the sides and rear of the unit. Some areas may require a larger size floor protector. See your local inspector. For outside air installation refer to Mobile Home installation instructions on page 14.
- 9) When the floor protection is complete, position the stove with the flue collar centered under the installed chimney.

**NOTE: In Canada, floor protection must extend 18" (450mm) to the front and 8" (200mm) to each side and back of the stove.**

- 10) In seismically active areas, Regency recommends that your unit is secured to the floor by using the bolt down holes inside the pedestal (the same ones used in Mobile Home installations).
- 11) For residential installations using 6" (152mm) "C" Vent (single wall) the chimney connector must be at least 24 gauge steel. Do not use galvanized pipe. For Mobile Home installation refer to the Mobile Home installation instructions on page 14.
- 12) **Do not connect this unit to a chimney serving another appliance.**
- 13) A chimney connector cannot pass through an attic or roof space, closet or similar concealed space, or a floor, ceiling, wall or partition of combustible construction. In Canada, if passage through a wall, or partition of combustible construction is desired, the installation shall conform to CAN/CSA-B365, Installation Code for Solid-Fuel-Burning Appliances and Equipment.
- 14) Your Regency Woodstove is not to be connected to any air distribution duct.

**Emissions from burning wood or gas could contain chemicals known to the State of California to cause cancer, birth defects or other reproductive harm.**

## MODULAR INSTALLATION OPTIONS

The following items are required when assembling your Regency Stove. F2402M unit - the Rear Heat Deflector is supplied with the stove, but if you choose not to use it you must use the Airmate instead.

Modular Part	Things to consider when choosing options:
<b>Airmate OR Rear Heat Deflector</b>	Clearances are different. Generally you can get closer clearances with the airmate than with the rear heat deflector. Convection heat with Airmate vs. Radiant Heat with Rear Heat Deflector. The airmate pushes heat forward and into the room, the rear heat deflector deflects the heat upward.
<b>Pedestal OR Legs</b>	There are no performance differences with either the pedestal or legs. It is primarily a personal preference. Legs can be either painted steel, painted cast, or gold plated cast. Leg installation requires the bottom shield.

**OPTIONS: These can be installed at time of installation or added later:**

Modular Option	Things to consider when choosing options
<b>Blower/Fan</b>	Adding the blower will increase the area heated by the stove, it can move warm air beyond the room where the stove is installed.
<b>Ash Drawer Kit</b>	Adding the Ash Drawer Kit makes cleaning ashes out of the stove easier and cleaner.
<b>Screen Door</b>	A simple add-on option that will allow you to enjoy the sound, warmth and view of an open fire.

## AUSTRALIA ONLY

### IMPORTANT

Use only the instructions and clearance dimensions on this page for heaters to be installed in Australia.

The Regency F2402M has been tested by the AHHA Testing Laboratory and conforms to AS/NZS 2918:200, Report No. ATL19-04.

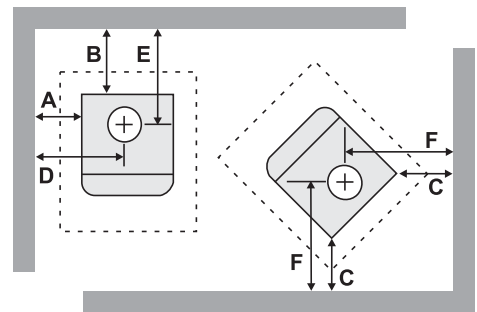
The Regency F2402M has been tested with the flue kits listed below. A default flue kit as listed in AS/NZS 2918:2001 may also be used.

These are the only flue kits certified for use with this heater for installation in Australia.

### MINIMUM CLEARANCE TO COMBUSTIBLE MATERIALS

Please read the section below carefully as clearances depend on whether the airmate or the rear heat deflector is installed on the stove.

Measurements "From Unit" are from the top plate of the stove to a side wall or to a corner, and from the rear heat shield to a back wall.



#### Residential Installation Clearances to Combustible Walls

Unit	From Unit		From Corner		From Flue Center-Line		
	A	B	C	D	E	F	
Medium F2402M	with Airmate*	450mm	125mm	150mm	755mm	290mm	445mm
	with Rear Deflector*	450mm	150mm	225mm	755mm	315mm	555mm

\*Airmate fitted, and 900mm long half round enamelled mild steel flue shield or half perforated decromesh flue shield fitted

\*Rear firebox shield extension fitted, and full length half perforated decromesh flue surround or 900mm long half round enamelled mild steel flue shield fitted.

#### Flue systems tested:

Acorn Special Insulated  
FLOMET Super Single  
Shamic 1A

#### Floor Protector:

6mm thick fibre cement sheet with thermal conductivity 0.41 W/m degree K underneath heater extending 300mm in front and 200 mm from the sides of the firebox opening.

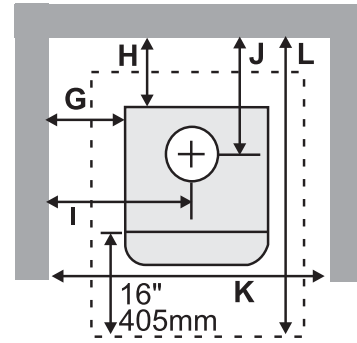
**NOTE:** A minimum clearance of 125mm (flat wall) or 150mm (corner wall) must be retained for all wall surfaces to allow for fan access and maintenance.

# INSTALLATION

## Minimum Alcove Clearance to Combustible Materials

The Regency Freestanding models have been alcove approved and must be installed with a listed double wall connector to the ceiling level.

**Note:** Minimum alcove ceiling height - 84" (2134mm)  
Maximum depth of alcove - 36" (914mm)



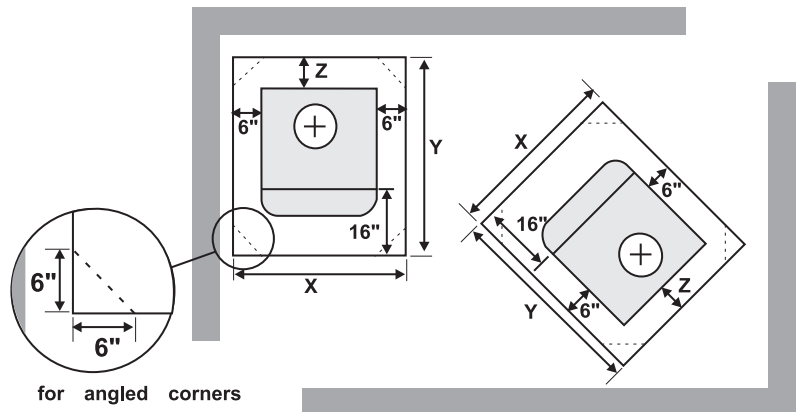
Unit	From Unit		From Flue Center-line		Min. Width	Min. Hearth to Rear Wall
	G	H	I	J	K	L
Medium F2402M with Airmate with Rear Deflector	15" (381 mm)	5.5" (139 mm)	27" (685 mm)	12" (304 mm)	54" (1371 mm)	48" (1219 mm)
	15" (381 mm)	6.5" (165 mm)	27" (685 mm)	13" (330 mm)	54" (1371 mm)	49" (1244 mm)

## Floor Protection

A combustible floor must be protected by non-combustible material (like tile, concrete board, or certified to UL-1618 or as defined by local codes) extending beneath the heater and a minimum of 6" (152mm) from each side and minimum 16" (406mm) from the front face of the stove and minimum 6" (152mm) (or the rear clearance to combustibles whichever is smaller) from the rear of the stove.

When installed with horizontal venting, non-combustible floor protection must beneath the flue pipe and extend 2" (51mm) beyond each side.

### Minimum Overall Width (X) of Floor Protector for all installations:



Stove F2402M 36" (914 mm)

**NOTE:** In Canada, floor protection must extend 18" (450mm) to the front and 8" (200mm) to each side and back of the stove.

Unit	Minimum Overall Depth (y) of Floor Protector							
	Residential "C" Vent		Residential Close Clearance		Mobile Home Close Clearance		Alcove	
	Y	Z	Y	Z	Y	Z	Y	Z
Medium F2402M with Airmate with Rear Deflector	46" (1168 mm)	6" (152 mm)	45"* (1143 mm)	5" (127 mm)	45"* (1143 mm)	5" (127 mm)	45"* (1143 mm)	5" (127 mm)
	46" (1168 mm)	6" (152 mm)	45"* (1143 mm)	5" (127 mm)	45"* (1143 mm)	5" (127 mm)	45"* (1143 mm)	5" (127 mm)

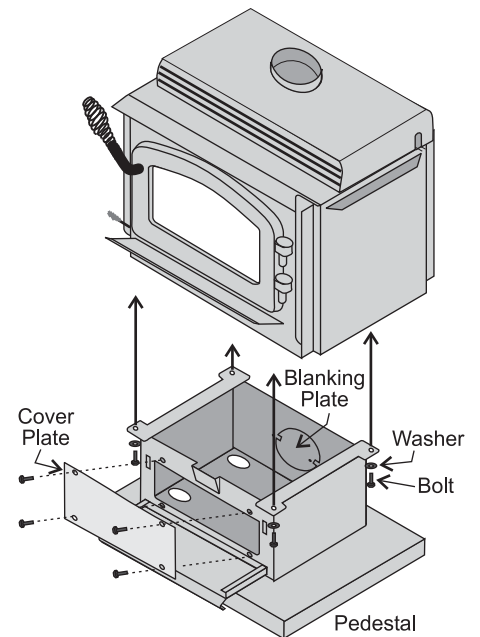
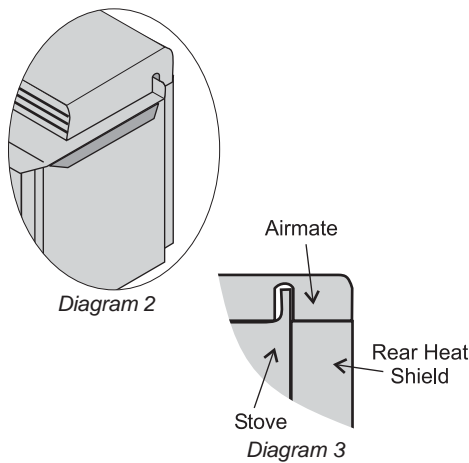
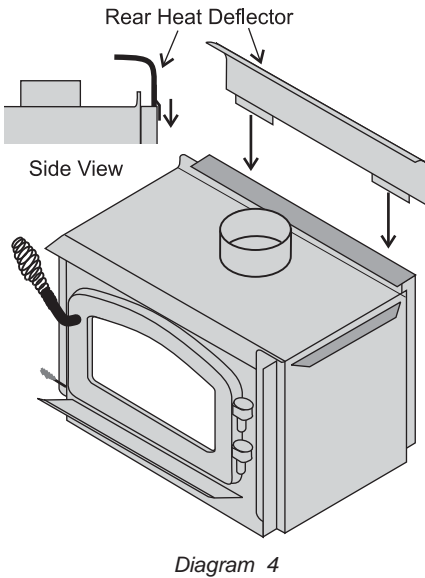
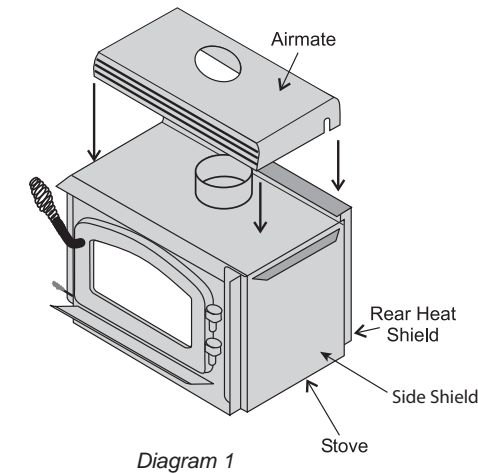
\*The rear clearance to combustibles is less than 6", for corner installations the rear corners may be angled to take advantage of the closer clearances.



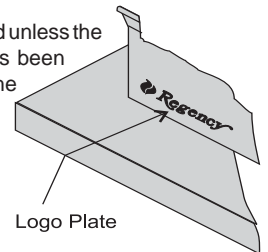
## STOVE ASSEMBLY PRIOR TO INSTALLATION

All units require either the pedestal or 4 legs attached to the base. The F2402M stove requires

## Pedestal Assembly



and must be installed unless the optional airmate has been selected. It stops the heat radiated from the flue collar from overheating the rear



either the Airmate or Rear Heat Deflector on top of the stove. Clearances to combustible materials vary depending on whether the airmate or rear heat deflector is installed, so be sure to check the clearance information on pages 7 and 8.

wall. The rear heat deflector is installed on top of the rear heat shield, as shown in diagram 4.

### Airmate Assembly

- 1) The airmate sits on top of the stove with the slots in the sides fitting over the curved deflector on the rear stove top. See diagram 1. Discard the Rear Heat Deflector that is supplied with the unit, it is not required if the airmate is installed.
- 2) Center the airmate and push it forward to the front of the stove. The back of the airmate should be level with the back and sides of the rear heat shield. See diagrams 2 & 3.

### Rear Heat Deflector Assembly

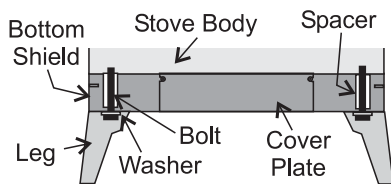
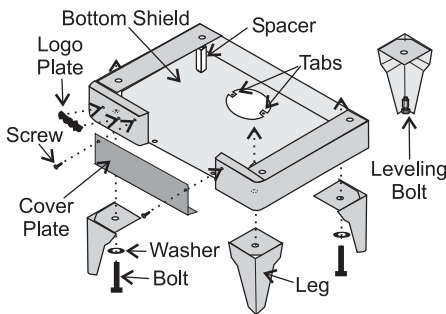
The rear heat deflector is supplied with the stove.

# INSTALLATION

## Leg and Bottom Shield Assembly

The instructions below apply to the steel leg, painted cast leg and the gold plated cast leg. It will be easier to attach the legs to the stove if the stove is tipped on its back (preferably on a soft surface to prevent scratching). Ensure to be extremely careful when tipping stove.

- 1) Remove the 4 bolts from underside of the base of the pedestal and discard. Also remove cover plate and put to the side.
- 2) Line up the heat shield with the bottom of the unit.
- 3) Start threading the bolt and washer (supplied with the bottom shield) for about 1/4 of the way through the leg with the washers being underneath the legs. Ensure that the legs are properly aligned with heat shield and tighten the bolts.
- 4) Level the stove by adjusting the levelling bolts in the bottom of each leg.



- 5) Reinstall cover plate.
- 6) Install logo plate onto heat shield by placing in 2 holes as shown in diagram.

If you are installing outside combustion air, bend the tabs out 90 degrees. Pipe fresh air into the bottom shield by using a minimum 4" duct pipe with a mesh grill at the outside termination. Attach the pipe to the 2 tabs with screws.

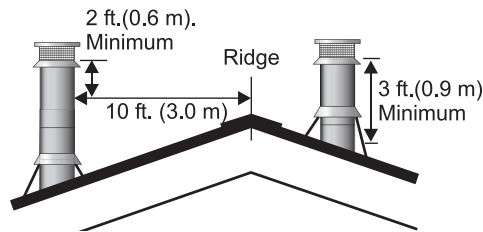
- 1) For easier assembly, tip the stove on its back (onto a soft surface to prevent scratching).

*Hint:* If you have chosen the Ash Drawer option, remove the ash dump cover plates before attaching the pedestal. See page 16 "Ashdrawer Kit Installation".

- 2) Remove the blanking plate if
  - a) you are **not** installing outside combustion air or
  - b) outside air is to be brought in from the **rear** of the stove.
- 3) Unscrew the 4 bolts in the under-side of the stove. Align the holes in the corners of the pedestal top with the corresponding holes in the base of the stove. Fasten using a bolt and washer for each corner.
- 4) Push the Regency logo into the two holes in the front bottom left corner of the pedestal cover plate.

**Note:** Any paint touch up should be done prior to placing logo on pedestal.

- 5) If not using ash drawer, then cover plate must



be installed. If using ash drawer, then disregard cover plate.

## STEP-BY-STEP CHIMNEY AND CONNECTOR INSTALLATION:

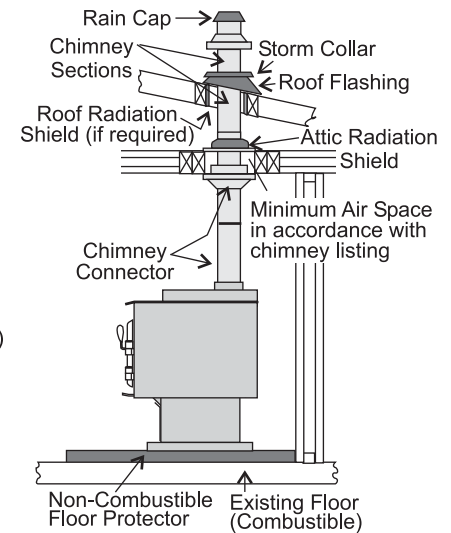
**Note:** These are a generic set of chimney installation instructions. Always follow the manufacturers own instructions explicitly. Check Table 1 on page 13 for the Minimum Recommended Flue Heights.

- 1) With your location already established, cut and frame the roof hole. It is recommended that no ceiling support member be cut for chimney and support box installation. If it is necessary to cut them, the members must be made structurally sound.
- 2) Install radiant shield and support from above.
- 3) Stack the insulated pipe onto your finish

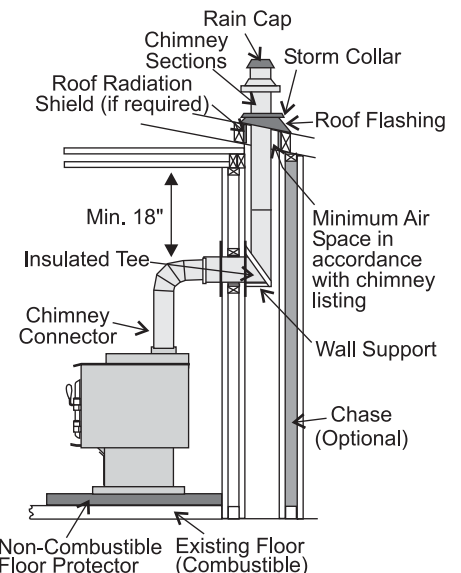
support to a minimum height of 3 feet (.9m) above the roof penetration, or 2 feet (.6m) above any point within 10 feet (3m) measured horizontally. There must be at least 3 feet (.9m) of chimney above the roof level.

**Note:** Increasing the chimney height above this minimum level will sometimes help your unit to "breathe" better by allowing a greater draft to be created. This greater draft can decrease problems such as, difficult start-ups, back-smoking when door is open, and dirty glass. It might be sufficient to initially try with the minimum required height, and then if problems do arise add additional height at a later date.

- 4) Slide the roof flashing over your chimney and seal the flashing to the roof with roofing



Standard Ceiling Installation



Horizontal Installation

# INSTALLATION

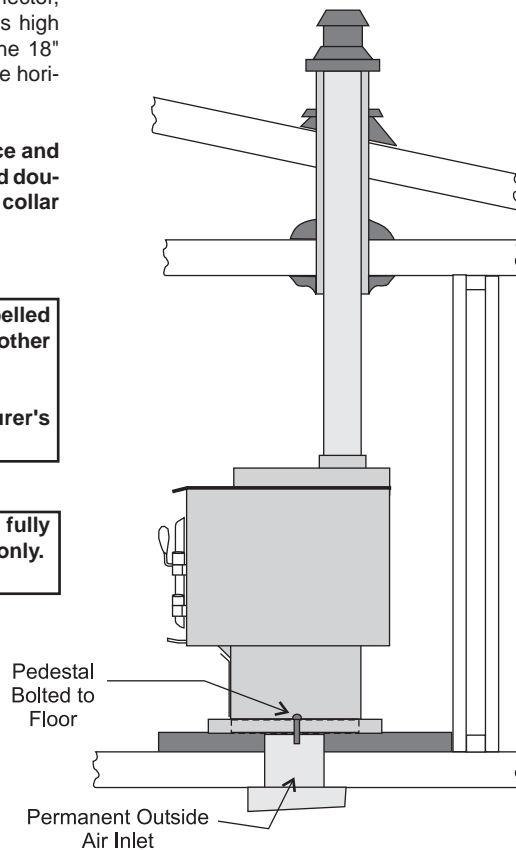
compound. Secure the flashing to your roof with nails or screws.

- 5) Place the storm collar over the flashing, sealing the joints with a silicone caulking.
- 6) Fasten the raincap with spark screens (if required) to the top of your chimney.
- 7) For optimum efficiency when installing into a masonry chimney, size accordingly, i.e. the 6" (152mm) flue dia. is 28.28 sq.in.
- 8) To complete your chimney installation, install the double wall connector pipe from the stove's flue collar to the chimney support device.
- 9) If you are using a horizontal connector, the chimney connector should be as high as possible while still maintaining the 18" (457mm) minimum distance from the horizontal connector to the ceiling.
- 10) **NOTE: Residential Close Clearance and Alcove installations require a listed double wall connector from the stove collar to the ceiling level.**

**CAUTION: At no time use unlabelled parts, or substitute parts made for another chimney system.**

**Install as per chimney manufacturer's installation instructions.**

**WARNING: Operate only with door fully closed - open feed door to feed fire only.**

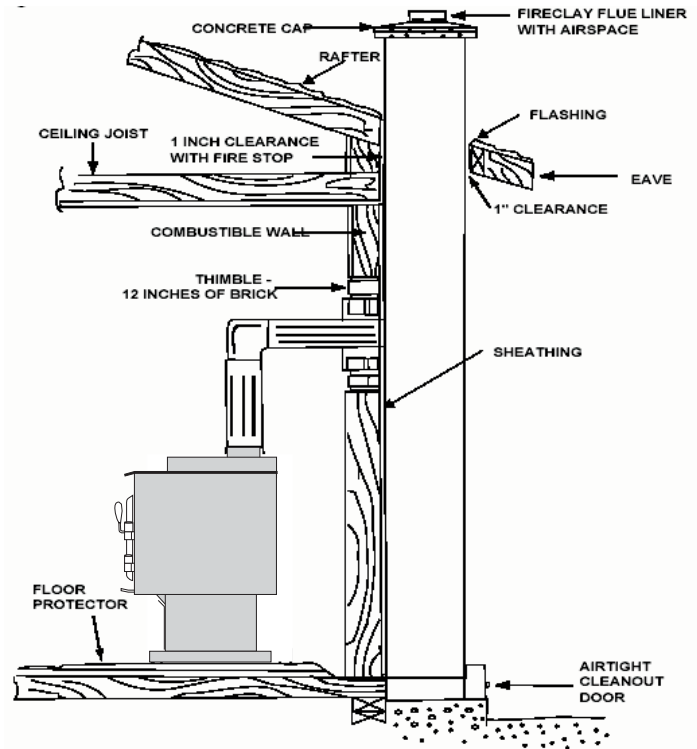


In addition to standard installation instructions the following requirements are mandatory for installation in a mobile home.

- 1) The stove must be permanently bolted to the floor of the Mobile Home using the floor screws provided.
- 2) The stove must have a permanent outside air source for combustion.
- 3) The stove must be electrically grounded to the steel chassis of the Mobile Home.
- 4) A listed double-wall connector chimney system, roof thimble, spark arrester and roof flashing kit suitable for use in Mobile Homes must be used.
- 5) If the chimney exits the Mobile Home at a location other than through the roof, and exits at a point 7ft. (2130mm) or less above the ground level on which the Mobile Home is positioned a guard or method of enclosing the chimney shall be fitted at the point of exit for a height up to 7ft. (2130mm).
- 6) The chimney shall be attached directly to the room heater and shall extend at least 3 ft. (914mm) above the part of the roof through which it passes. The top of the chimney should project at least 2ft. (610mm) above the highest elevation of any part of the Mobile Home within 10 ft. (3048mm) of the chimney.
- 7) The chimney system shall comply with Local Requirements.
- 8) Any openings in a chimney guard where required must not permit the entrance of 3/4" (19mm) diameter rod.
- 9) **CAUTION: THE STRUCTURAL INTEGRITY OF THE MOBILE HOME ROOF, FLOOR, WALLS AND CEILING MUST BE MAINTAINED.**
- 10) Check any other local building code as other local codes may apply.
- 11) **WARNING: DO NOT INSTALL IN A SLEEPING ROOM OF A MOBILE HOME.**
- 12) Use silicone to create an effective vapour barrier at the location where the chimney or other component penetrates to the exterior of the structure.

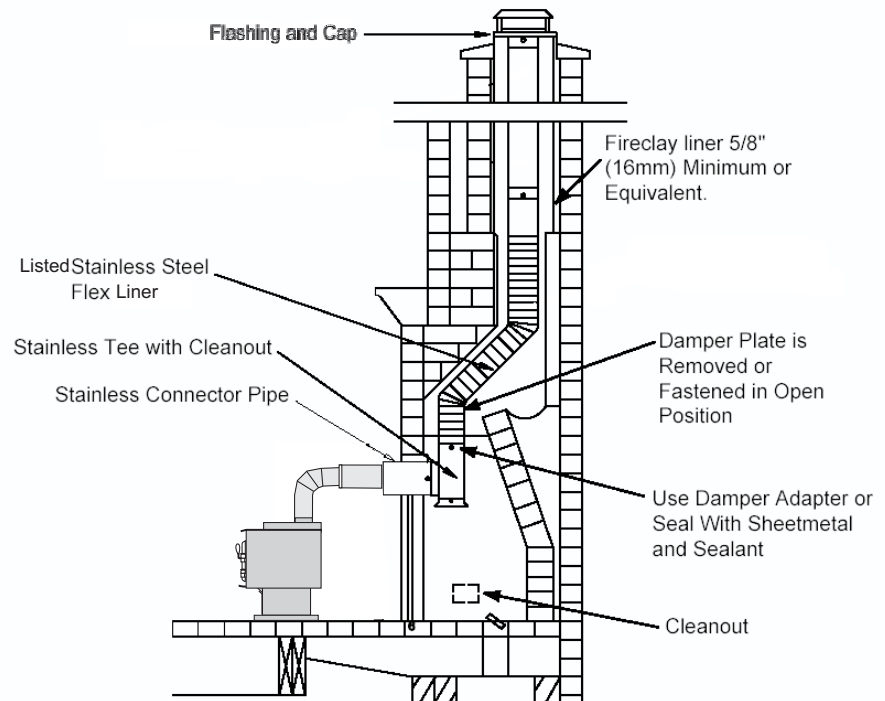
## MASONRY CHIMNEY

Ensure that a masonry chimney meets the minimum standards of the National Fire Protection Association (NFPA) by having it inspected by a professional. Make sure there are no cracks, loose mortar or other signs of deterioration and blockage. Have the chimney cleaned before the stove is installed and operated. When connecting the stove through a combustible wall to a masonry chimney, special methods are needed.



## MASONRY FIREPLACE

There are listed kits available to connect a stove to a masonry fireplace. The kit is an adapter that is installed at the location of the fireplace damper. The existing damper may have to be removed to allow installation.



## FACTORY BUILT CHIMNEY

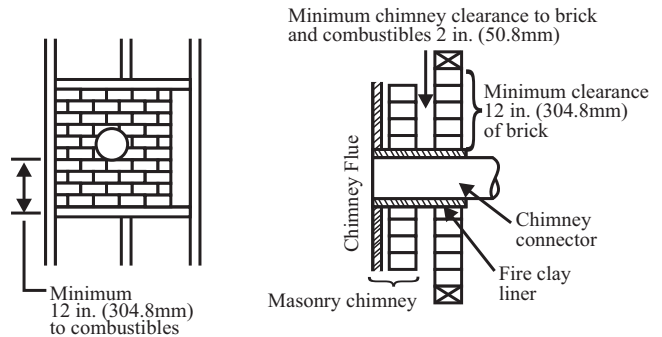
When a metal prefabricated chimney is used, the manufacturer's installation instructions must be followed. You must also purchase and install the ceiling support package or wall pass-through and "T" section package, firestops (where needed), insulation shield, roof flashing, chimney cap, etc. Maintain proper clearance to the structure as recommended by the manufacturer. The chimney must be the required height above the roof or other obstructions for safety and proper draft operation.

# INSTALLATION

## COMBUSTIBLE WALL CHIMNEY CONNECTOR PASS-THROUGHS

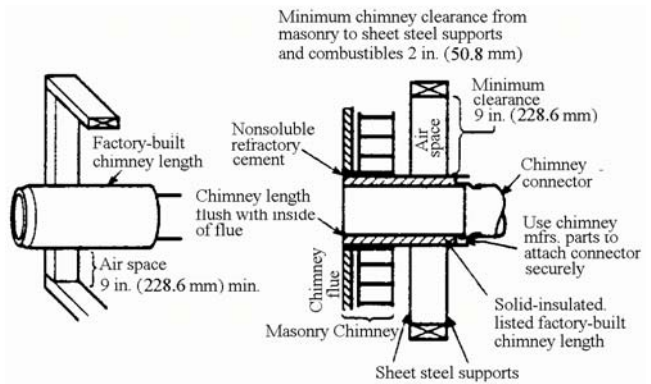
### Method A: 12" (304.8 mm) Clearance to Combustible Wall Member:

Using a minimum thickness 3.5" (89 mm) brick and a 5/8" (15.9 mm) minimum wall thickness clay liner, construct a wall pass-through. The clay liner must conform to ASTM C315 (Standard Specification for Clay Fire Linings) or its equivalent. Keep a minimum of 12" (304.8 mm) of brick masonry between the clay liner and wall combustibles. The clay liner shall run from the brick masonry outer surface to the inner surface of the chimney flue liner but not past the inner surface. Firmly grout or cement the clay liner in place to the chimney flue liner.



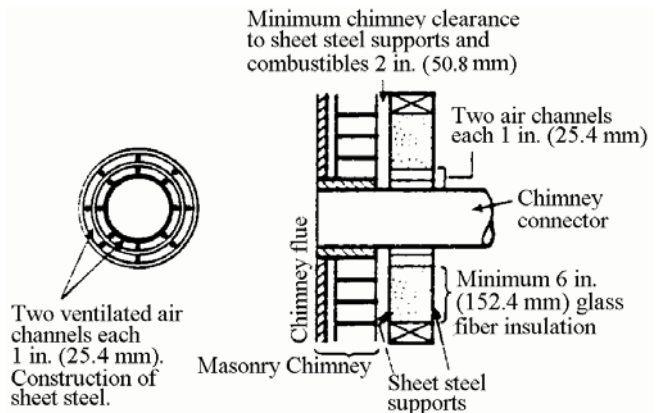
### Method B: 9" (228.6 mm) Clearance to Combustible Wall Member:

Using a 6" (152.4 mm) inside diameter, listed, factory-built Solid-Pak chimney section with insulation of 1" (25.4 mm) or more, build a wall pass-through with a minimum 9" (228.6 mm) air space between the outer wall of the chimney length and wall combustibles. Use sheet metal supports fastened securely to wall surfaces on all sides, to maintain the 9" (228.6 mm) air space. When fastening supports to chimney length, do not penetrate the chimney liner (the inside wall of the Solid-Pak chimney). The inner end of the Solid-Pak chimney section shall be flush with the inside of the masonry chimney flue, and sealed with a non-water soluble refractory cement. Use this cement to also seal to the brick masonry penetration.



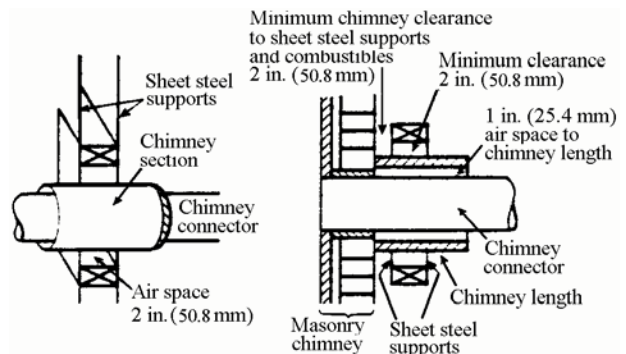
### Method C: 6" (152.4 mm) Clearance to Combustible Wall Member:

Starting with a minimum 24 gage (.024" [.61 mm]) 6" (152.4 mm) metal chimney connector, and a minimum 24 gage ventilated wall thimble which has two air channels of 1" (25.4 mm) each, construct a wall pass-through. There shall be a minimum 6" (152.4 mm) separation area containing fiberglass insulation, from the outer surface of the wall thimble to wall combustibles. Support the wall thimble, and cover its opening with a 24-gage minimum sheet metal support. Maintain the 6" (152.4 mm) space. There should also be a support sized to fit and hold the metal chimney connector. See that the supports are fastened securely to wall surfaces on all sides. Make sure fasteners used to secure the metal chimney connector do not penetrate chimney flue liner.



### Method D: 2" (50.8 mm) Clearance to Combustible Wall Member:

Start with a solid-pak listed factory built chimney section at least 12" (304 mm) long, with insulation of 1" (25.4 mm) or more, and an inside diameter of 8" (2 inches [51 mm] larger than the 6" [152.4 mm] chimney connector). Use this as a pass-through for a minimum 24-gage single wall steel chimney connector. Keep solid-pak section concentric with and spaced 1" (25.4 mm) off the chimney connector by way of sheet metal support plates at both ends of chimney section. Cover opening with and support chimney section on both sides with 24 gage minimum sheet metal supports. See that the supports are fastened securely to wall surfaces on all sides. Make sure fasteners used to secure chimney flue liner.



## RECOMMENDED HEIGHTS FOR WOODSTOVE FLUE

Simple rules on draft. See Table 1.

1) At sea level minimum height is 12' (3.7m) straight.

2) Add the following vertical height to compensate for:

45 deg. elbow = 1 ft. (.3m)

90 deg. elbow = 2 ft. (.6m)

"T" = 3 ft. (.9m)

Each foot of horizontal run = 2 ft. (.6m)

3) Add 4% overall for each 1000' (3.5m) above sea level.

**Example: a)**

1-1/2 ft. of horizontal run = 3 ft. (.9m)

one "T" = 3 ft. (.9m)

Total Addition (at sea level) = 6 ft. (1.8m)

**Example: b)**

One 90 deg. elbow = 2 ft. (.6m)

2 ft. of horizontal run = 4 ft. (1.2m)

one "T" = 3 ft. (.9m)

Total Addition (at sea level) = 9 ft. (2.7m)

### Recommended Flue Height

Elevation	Example a)	Example b)
0' (0m)	18' (5.5m)	21' (6.4m)
1000' (305m)	18.72' (5.7m)	21.84' (6.7m)
2000' (610m)	19.44' (5.9m)	22.68' (6.9m)
5000' (1524m)	21.60' (6.6m)	25.20' (7.7m)
8000' (2438m)	23.76' (7.2m)	27.72' (8.5m)

TABLE 1

MINIMUM RECOMMENDED FLUE HEIGHTS IN FEET (Measured from the top of the unit)							
ELEVATION (FT) ABOVE SEA LEVEL	# OF ELBOWS						
	0	2 x 15°	4 x 15°	2 x 30°	4 x 30°	2 x 45°	4 x 45°
0-1000	12.0	13.0	14.0	15.0	18.0	16.0	20.0
1000-2000	12.5	13.5	14.5	15.5	19.0	16.5	21.0
2000-3000	13.0	14.0	15.0	16.0	19.5	17.0	21.5
3000-4000	13.5	14.5	15.5	17.0	20.0	18.0	22.5
4000-5000	14.0	15.0	16.0	17.5	21.0	18.5	23.0
5000-6000	14.5	15.5	17.0	18.0	21.5	19.0	24.0
6000-7000	15.0	16.0	17.5	18.5	22.5	20.0	25.0
7000-8000	15.5	16.5	18.0	19.0	23.0	20.5	25.5
8000-9000	16.0	17.0	18.5	20.0	24.0	21.0	26.5
9000-10000	16.5	17.5	19.0	20.5	24.5	22.0	27.0

**NOTE: No more than two offsets (four elbows) allowed. Two 45° elbows equal one 90° elbow.**



The diagrams below illustrate one way to install your unit into a standard ceiling or with a horizontal connector. Check with your dealer or installer for information on other options available to you.

## MOBILE HOME INSTALLATION

Once you have properly marked the position of your unit and the floor protection as outlined in the Residential Installation items #1 through #8, a supply of fresh air has to be supplied to your unit. Cut a minimum 4 inch diameter hole through your floor protector and the floor directly under your pedestal base to the outside. Use 4" duct pipe with a mesh grill to pipe fresh air into the pedestal area. Block off the hole in the back of the pedestal with the square plate and the two 1/2" (13mm) screws provided.

Place your unit in position and secure it to the floor using two lag bolts 3/8" x 3-1/2" (10mm x 89mm) through the two holes inside the pedestal base. It is important to maintain the structural integrity of the Mobile Home floor, walls and roof when installing your unit.

For Mobile Home units installed in the U.S. the unit must be grounded using a #8 ground wire with approved termination and star washer.

## LISTED COMPONENTS FOR MOBILE HOME INSTALLATION

The Regency F2402M and S2402M Freestanding pedestal units are approved for installation in a Mobile Home if one of the following pipe systems is used.

### U.S. Installation\*

#### METALBESTOS SSI

Qty.	Part #	Description
1	6DS-VK	Connector Kit
1	6TMH	Shield/Support
1	6TAF-6	Flashing
1	6T-36	Chimney Length
1	6T-18	Chimney Length
1	6T-CT	Rain Cap

#### PRO-JET 3103

Qty.	Part #	Description
1	PV06-TK	Connector
1	CSB	Shield/Support
1	RRS	Radiation Shield
1	LFR03	Flashing
1	SL3	Chimney Length
1	SL1	Chimney Length
1	RCSA	Rain Cap

#### SECURITY ASHT

Qty.	Part #	Description
1	DL42A-6	Connector Kit
1	6SS	Shield/Support

1	6FAMH	Flashing
1	6L3	Chimney Length
1	6L1	Chimney Length
1	CPE	Rain Cap

#### SECURITY S2100

Qty.	Part #	Description
1	DL42A-6	Connector Kit
1	6XSF	Support
1	6XFA	Flashing
1	6XL3	Chimney Length
1	6XL18	Chimney Length
1	6XCPE	Rain Cap

#### METAL-FAB TEMP/GUARD 2100

Qty.	Part #	Description
1	6DWBK	Connector
1	6TGRS	Roof Support
1	6TGG36	Chimney Length
1	6TGG12	Chimney Length
1	6TGF	Flashing
1	6TGC	Rain Cap

#### AMERI-TEC HS

Qty.	Part #	Description
1	6DCC	Connector
1	6HSRS-12	Roof Support (6PLRS-12-BK)
1	6F	Flashing
1	6HS-36	Chimney Length
1	6HS-18	Chimney Length
1	6HS-RCS	Rain Cap (6PL-MPC)

#### SIMPSON DURA-PLUS

Qty.	Part #	Description
1	6DVL8693	Connector Kit
1	6DP-MH9096	Mobile Home Kit

#### ICC EXCEL 2100

Qty.	Part #	Description
1	6CL48	48" (1219mm) Chimney length (also in 12" (305mm), 18" (457mm), 24" (610mm) lengths.
1	6RC	Rain Cap
1	6RCS	Spark Screen (for rain cap)
1	6RDS/SQS	Round/Square support box
1	6VF	Flashing
1	6UBA	"Ultrablack" Close Clearance Connector

### Canadian Installations\*

#### SECURITY S2100 (see above for details)

#### ICC EXCEL 2100 (see above for details)

#### SELKIRK SENTINAL CF

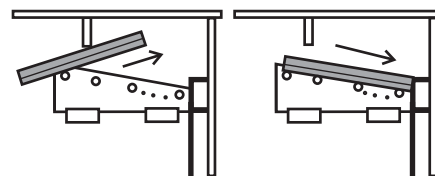
\*The use of alternate pitch flashings, support box extensions, additional chimney lengths, and additional chimney bracing, may be used on each of the previously listed systems. These parts though must be from the same system as listed, and must be a similar and/or complimentary part.

**CAUTION: At no time use unlabelled parts, or substitute parts made for another chimney system.**

Install as per chimney manufacturer's installation instructions.

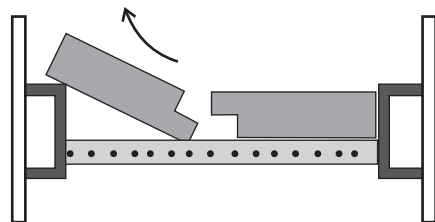
## FLUE BAFFLE & SECONDARY AIR TUBE INSTALLATION

The flue baffle system located in the upper area of the firebox is removable to make cleaning your chimney system easier. The baffles must be installed prior to your first fire. **Smoke spill**

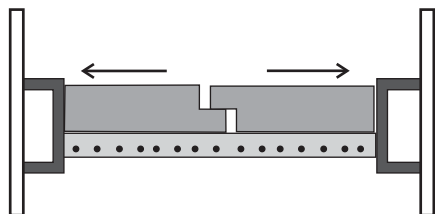


Side View

age and draft problems may occur if the baffles are improperly positioned. Check the position of the baffles on a regular basis as they can be dislodged if too much fuel is forced into the firebox.



Front View



Front View

### Freestanding Stove

The unit arrives with the 2 baffles on the floor of the firebox.

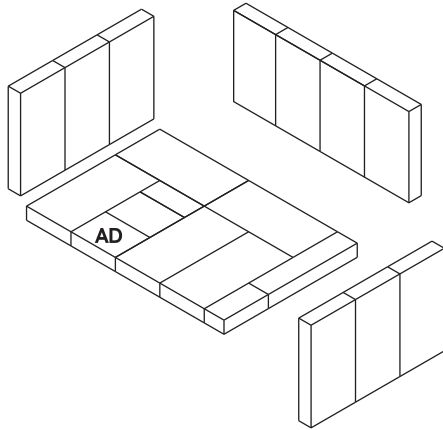
- 1) If all 4 air tubes are installed continue on to Step 2), if not, follow the instructions below. Install the air tube into the holes in the side channels. The notch goes on the right hand side with the air holes facing toward the door. Slide the tube into the left hand side, as far as possible and then bring it back into the hole on the right hand side until it locks into position. If the tube will not slide in easily, simply use a pair of vise grips or pliers and tap it into place with a hammer. A tighter fit will ensure the tube will not move when the unit is burning.
- 2) Slide the left baffle over the air tubes from the front and then push it to the back.

# INSTALLATION

## BRICK INSTALLATION

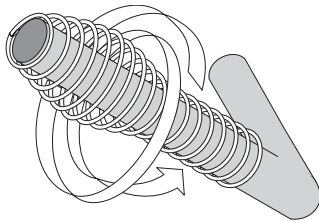
Firebrick is included to extend the life of your stove and radiate heat more evenly. Check to see that all firebricks are in their correct positions and have not become misaligned during shipping.

The "AD" brick in the drawings above is the brick covering the Ash Dump hole that is used when the Ash Drawer Kit is installed.



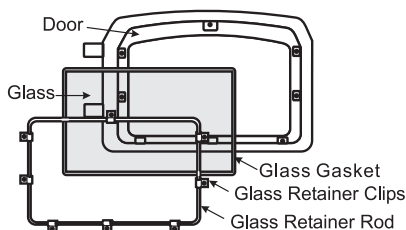
## DOOR HANDLE

Attach spring handle by rotating counter clockwise onto rod. Ensure that the rod fits into the entire length of the spring handle. See Diagram below.



## GLASS INSTALLATION

Remove the door from the stove and remove the glass retainer. Position the glass in the door, make sure that the glass gasketing will properly seal your unit, and replace the retainer, it should rest on the gasket not the glass. Tighten securely, but do not wrench down on the glass as this may cause the glass to break.

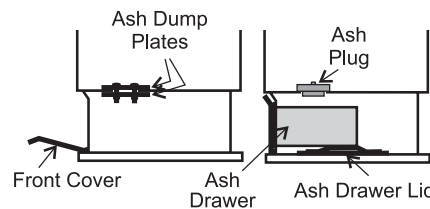


## STEP-BY-STEP OPTIONAL ACCESSORIES INSTALLATION

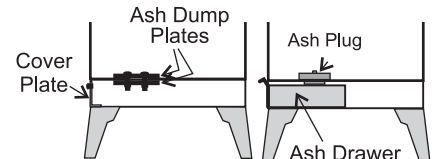
The pieces listed below can be purchased and installed during the initial installation or added on later.

### Pedestal Ash Drawer Kit

- 1) Remove the bricks from the floor of the firebox.
- 2) If using ashdrawer, discard cover plate.
- 3) Remove the ash dump cover plates (one inside the firebox and one on the underside of the firebox) by removing the two nuts and bolts holding the 2 plates together from inside the firebox.
- 4) Push the ash plug into the hole inside the firebox and replace all the bricks except for the brick over the ash plug. See brick diagram.
- 5) Place the ash drawer lid inside the pedestal, and the ash plug tool beside the lid, then slide the ash drawer inside so it sits on top of the lid.

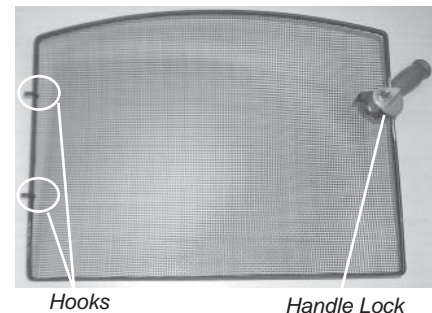


- 4) Push the ash plug into the hole inside the firebox and replace all the bricks except for the brick over the ash plug. See brick diagram.
- 5) Place the ash plug tool beside the lid, then slide the ash drawer inside.



## SCREEN DOOR

Hook screen to the inside on the right side of the firebox door opening. Lock in place by turning handle.

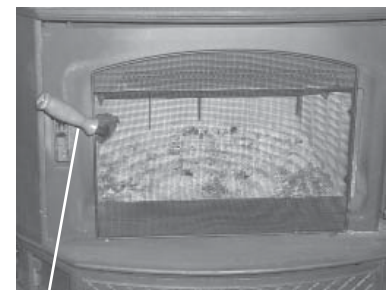


*Back Side of Screen Shown*

**NOTE:** The handle must be positioned at 10 o'clock when closed to avoid the handle from getting hot and to ensure the screen stays in place.

### Bottom Shield Ash Drawer Kit

- 1) Remove the bricks from the floor of the firebox.
- 2) Remove and discard the cover plate by removing the two screws on the front of the Bottom Shield.
- 3) Remove the ash dump cover plates (one inside the firebox and one on the underside of the firebox) by removing the two nuts and bolts holding the 2 plates together from inside the firebox.



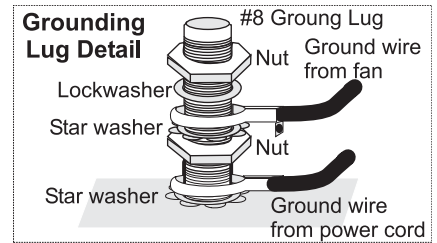
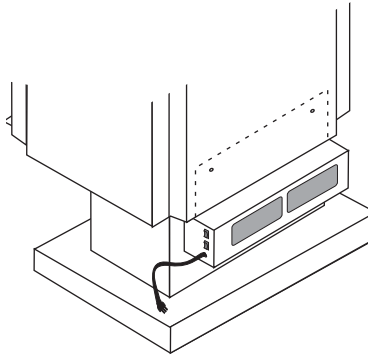
*Handle at 10 o'clock position.*



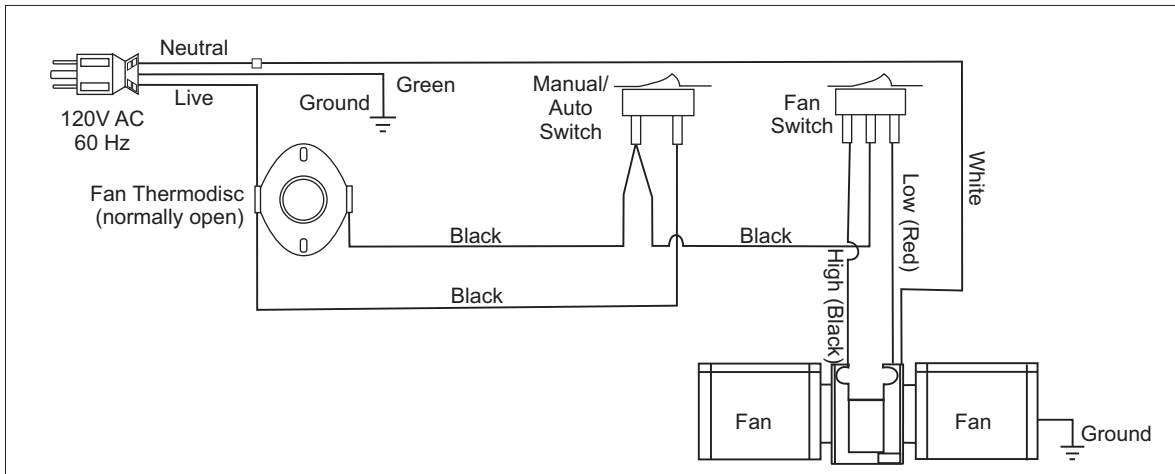
## Blower/Fan

- 1) Remove the two screws from the top of the fan housing.
- 2) Slide the fan up into the rear heat shield.
- 3) After aligning holes, secure the fan to the rear heat shield using the two screws removed earlier.

**CAUTION: The connection cord should not be in contact with any hot surfaces. Do not route cord under or in front of unit.**



Read the operating instructions for the fan before using. See Page 19.



*Blower/Fan Wiring Diagram*

**WARNING: Electrical Grounding Instructions**  
 This appliance is equipped with a three pronged (grounding) plug for your protection against shock hazard and should be plugged directly into a properly grounded three-prong receptacle. Do not cut or remove the grounding prong from this plug.

**CAUTION: Label all wires prior to disconnection when servicing controls. Wiring errors can cause improper and dangerous operation.**

# OPERATING INSTRUCTIONS

## OPERATING INSTRUCTIONS

With your unit now correctly installed and safety inspected by your local authority, you are now ready to start a fire. Before establishing your first fire, it is important that you fully understand the operation of your draft control.

### WARNING

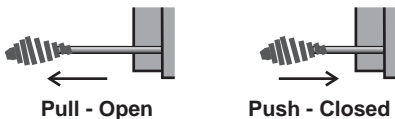
**Fireplace Stoves equipped with doors should be operated only with doors fully open or doors fully closed. If doors are left partly open, gas and flame may be drawn out of the fireplace stove opening, creating risks from both fire and smoke.**

**When operated with doors open the manufacturer supplied screen must be used.**

## DRAFT CONTROL

Both the primary and air wash drafts are controlled by the control rod located on the left side of the unit (when facing the unit). To increase your draft - pull open, and to decrease - push closed. All units have a secondary draft system that continually allows combustion air to the induction ports at the top of the firebox, just below the flue baffle.

**Important:** If you are using room air for combustion, make sure that the back cover plate at the rear of the pedestal is not installed. The cover plate must be installed on the unit if your stove is located in a mobile home or if using outside air from the bottom.



**WARNING: To build a fire in ignorance or to disregard the information contained in this section can cause serious permanent damage to the unit and void your warranty!!**

## FIRST FIRE

When your installation is completed and inspected you are ready for your first fire.

- 1) Open control fully.
- 2) Open firebox door and build a small fire using paper and dry kindling on the firebrick hearth. Secure door on the firebox and wait a few minutes for a good updraft in the flue to establish the fire. (Leaving the door slightly open will help your fire start more rapidly.)

**CAUTION: Never leave unit unattended if door is left open. This procedure is for fire start-up only, as unit may overheat if door is left open for too long.**

- 3) With the draft still in the fully open position add two or three seasoned logs to your fire. Form a trench in the ash bed to allow air to reach the rear of the firebox prior to closing the door.
- 4) After about 45 minutes, when your wood has begun to burn strongly, adjust your draft control down to keep the fire at a moderate level.

**WARNING: Never build a roaring fire in a cold stove. Always warm your stove up slowly!**

- 5) Once a bed of coals has been established on the firebrick hearth, you may adjust the draft control to a low setting to operate the unit at its most efficient mode.
- 6) During the first few fires, keep the combustion rate at a moderate level and avoid a large fire. Only after 5 or 6 such fires can you operate the stove at its maximum setting, and only after the metal has been warmed.
- 7) For the first few days, the stove will give off an odour from the paint. This is to be expected as the high temperature paint becomes seasoned. Windows and/or doors should be left open to provide adequate ventilation while this temporary condition exists. Burning the stove at a very high temperature the first few times may damage the paint. Burn fires at a moderate level the first few days.

- 8) Do not place anything on the stove top during the curing process. This may result in damage to your paint finish.

- 9) During the first few days it may be more difficult to start the fire. As you dry out your firebrick and your masonry flue, your draft will increase.

- 10) For those units installed at higher elevations or into sub-standard masonry fireplaces, drafting problems may occur. Consult an experienced dealer or mason on methods of increasing your draft.

- 11) Some cracking and popping noises may be experienced during the heating up process. These noises will be minimal when your unit reaches temperature.

- 12) Before opening your door to reload, open draft fully for approximately 10 to 15 seconds until fire has been re-established. This will minimize any smoking.

- 13) All fuel burning appliances consume oxygen during operation. It is important that you supply a source of fresh air to your unit while burning. A slightly opened window is sufficient for the purpose. If you also have a fireplace in your home, a downdraft may be created by your Regency Stove causing a draft down your chimney. If this occurs, slightly open a window near your unit.

**CAUTION: If the body of your unit, flue baffle or any part of the chimney connector starts to glow, you are overfiring. Stop loading fuel immediately and close the draft control until the glow has completely subsided.**

- 14) Green or wet wood is not recommended for your unit. If you must add wet or green fuel, open the draft control fully until all moisture has been dispersed by the intense fire. Once all moisture has been removed, the draft control may be adjusted to maintain the fire.

- 15) If you have been burning your stove on a low draft, use caution when opening the door. After opening the damper, open the door a crack, and allow the fire to adjust before fully opening the door.

- 16) The controls of your unit or the air supply passages should not be altered to increase firing for any reason.

- 17) If you burn the unit too slowly or at too low a setting your unit will not be operating as efficiently as it can. An easy rule of thumb says that if your glass is clean, then your flue is clean and your exhaust is clean. Burn the stove hot enough to keep your glass clean and you won't need to clean your flue as often.

# OPERATING INSTRUCTIONS

## FAN OPERATION

### Automatic

To operate the fan automatically, push the bottom switch on the side of the fan housing to "AUTO" and the top switch to either "HIGH" or "LOW" for fan speed.

This will allow the fan to turn on as the stove has come up to operating temperature. It will also shut the fan system off after the fire has gone out and the unit cooled to below a useful heat output range.

### Manual

To manually operate the fan system push the bottom switch to "MAN" and the top switch to either "HIGH" or "LOW". This will bypass the sensing device and allow full control of the fan.

Switching from "AUTO" to "MAN" or "HIGH" to "LOW" may be done anytime.

## ASH DISPOSAL

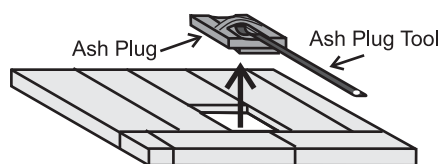
During constant use, ashes should be removed every few days. The Ash Drawer option features a convenient ash dump for easy removal of ash, see "Modular Options" on page 6.

### Safety Precautions

- 1) Do not allow ashes to build up to the loading doors! Only remove ashes when the fire has died down. Even then, expect to find a few hot embers.
- 2) Please take care to prevent the build-up of ash around the start-up air housing located inside the stove box, under the loading door lip.
- 3) Never start a fire if the ash plug and ash drawer are not in place. This will cause overfiring which can cause excessive warping of the stove. Evidence of overfiring can void the warranty on your stove.
- 4) The firebricks are brittle and can be damaged if the plug is replaced carelessly or pieces that are too large are forced through the hole.

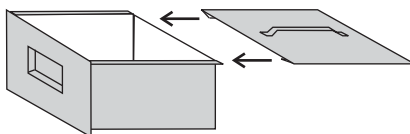
### Ash Drawer Operating Guideline

- 1) Only clean ashes out of the stove when the unit has cooled down. Remove the plug by lifting on the handle using the tool provided. The plug may still be warm, use caution.



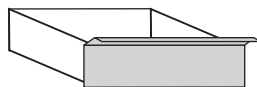
Push the ashes down the hole into the ash drawer, the large pieces can be left in the firebox and burned during the next fire or removed through the door opening.

- 2) Always leave 1/2 to 1 inch (13mm to 25mm) of ash in the bottom of the firebox. This helps in easier starting and a more uniform burn of your fire. Replace ash plug when ashes have been removed.
- 3) **Pedestal Units:**  
To remove the drawer, lift slightly and slide it out. When the drawer is completely out, slide the cover plate over the ash drawer and carry away.



### Bottom Shield (with Legs) Units:

To remove the drawer, lift slightly and slide it out, and carry it away.



- 4) When emptying the ash drawer, make sure the ashes are cold. Ashes should be placed in a metal container with a tight fitting lid. The closed container of ashes should be placed on a non-combustible floor or on the ground, well away from all combustible materials, pending final disposal. If the ashes are disposed of by burial in soil or otherwise locally dispersed, they should be retained in the closed container until all cinders have thoroughly cooled. Other waste should not be placed in the ash container.
- 5) Before putting the ash drawer back into place, make sure the ash plug is back in place.

Pedestal Units: make sure the cover lid is off.

## SAFETY GUIDELINES AND WARNINGS

- 1) Never use gasoline, gasoline type lantern fuels, kerosene, charcoal lighter fuel, or similar liquids to start or 'freshen up' a fire in your heater. Keep all such liquids well away from the heater while it is in use.
- 2) Keep the door closed during operation and maintain all seals in good condition.
- 3) Do not burn any quantities of paper, garbage, and never burn flammable fluids such as gasoline, naphtha or engine oil in your stove.

- 4) If you have smoke detectors, prevent smoke spillage as this may set off a false alarm.
- 5) Do not overfire heater. If the chimney connector, flue baffle or the stove top begin to glow, you are overfiring. Stop adding fuel and close the draft control. Overfiring can cause extensive damage to your stove including warpage and premature steel corrosion. Overfiring will void your warranty.
- 6) Do not permit creosote or soot build-up in the chimney system. Check and clean chimney at regular intervals. Failure to do so can result in a serious chimney fire.
- 7) Your Regency stove can be very hot. You may be seriously burned if you touch the stove while it is operating, keep children, clothing and furniture away. Warn children of the burn hazard.
- 8) The stove consumes air while operating, provide adequate ventilation with an air duct or open a window while the stove is in use.
- 9) Do not connect this unit to a chimney flue serving another appliance.
- 10) Do not use grates or andirons or other methods for supporting fuel. Burn directly on the bricks.
- 11) Open the draft control fully for 10 to 15 seconds prior to slowly opening the door when refuelling the fire.
- 12) Do not connect your unit to any air distribution duct.
- 13) Your woodstove should burn dry, standard firewood only. The use of cut lumber, plywood, "mill ends", etc. is not allowed as this fuel can easily overheat your woodstove. Evidence of excessive overheating will void your warranty. As well, a large portion of sawmill waste is chemically treated lumber, which is illegal to burn in many areas. Salt drift wood and chemically treated fire logs also must not be burned in your woodstoves.

- 14) Do not store any fuel closer than 2 feet from your unit. Do not place wood, paper, furniture, drapes or other combustibles near the appliance.

- 15) **WARNING: Do not operate without either the Ash Plug properly seated or the Ash Dump Plates screwed in place, excessive temperatures will result.**

- 16) Do not operate with broken glazing.

# MAINTENANCE

## MAINTENANCE

It is very important to carefully maintain your fireplace stove, including burning seasoned wood and maintaining a clean stove and chimney system. Have the chimney cleaned before the burning season and as necessary during the season, as creosote deposits may build up rapidly. Moving parts of your stove require no lubrication.

## CREOSOTE

When wood is burned slowly, it produces tar and other organic vapours, which when combined with moisture, form creosote. The creosote vapours condense in the relatively cool chimney flue of a slow burning fire. As a result, creosote residue accumulates on the flue lining. When ignited, this creosote can result in an extremely hot fire.

**WARNING: Things to remember in case of a chimney fire:**

1. Close all draft and damper controls.
2. CALL THE FIRE DEPARTMENT.

### Ways to Prevent and Keep Unit Free of Creosote

- 1) Burn stove with the draft control wide open for about 10-15 minutes every morning during burning season.
- 2) Burn stove with draft control wide open for about 10 - 15 minutes every time you apply fresh wood. This allows the wood to achieve the charcoal stage faster and burns up any unburned gas vapours which might otherwise be deposited within the system.
- 3) **Only burn seasoned wood!** Avoid burning wet or green wood. Seasoned wood has been dried at least one year.
- 4) A small hot fire is preferable to a large smouldering one that can deposit creosote within the system.

- 5) The chimney and chimney connector should be inspected at least once every two months during the heating season to determine if a creosote buildup has occurred.
- 6) **Have chimney system and unit cleaned by competent chimney sweeps twice a year during the first year of use and at least once a year thereafter or when a significant layer of creosote has accumulated (3 mm/1/8" or more) it should be removed to reduce the risk of a chimney fire.**

## MAINTENANCE OF GOLD-PLATED DOORS

The gold electroplated finish on the door requires little maintenance, and need only be cleaned with a damp cloth. DO NOT use abrasive materials or chemical cleaners, as they may harm the finish and void the warranty.

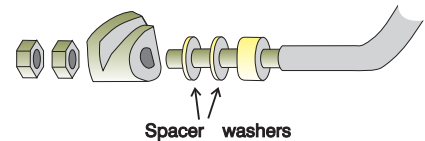
## GLASS MAINTENANCE

Your Regency stove is supplied with 5 mm Neoceram ceramic glass (Part #846-302) that will withstand the highest heat that your unit will produce. In the event that you break your glass by impact, purchase your replacement from an authorized Regency dealer only, and follow our step-by-step instructions for replacement.

Allow the stove to cool down before cleaning the glass, do not clean the glass when it is hot. Do not use abrasive cleaners.

## LATCH ADJUSTMENT

The door latch may require adjustment as the door gasket material compresses after a few fires. Removal of the spacer washer, shown in the diagram below, will allow the latch to be moved closer to the door frame, causing a tighter seal. Remove and replace the nuts, washer and spacer as shown.



## DOOR GASKET

If the door gasket requires replacement 7/8" (22mm) diameter material must be used. Regency uses AMATEX # 10-863KR 7/8" dia. gasket (Part #846-570). A proper high temperature gasket adhesive is required. See your Regency Dealer.

## WOOD STORAGE

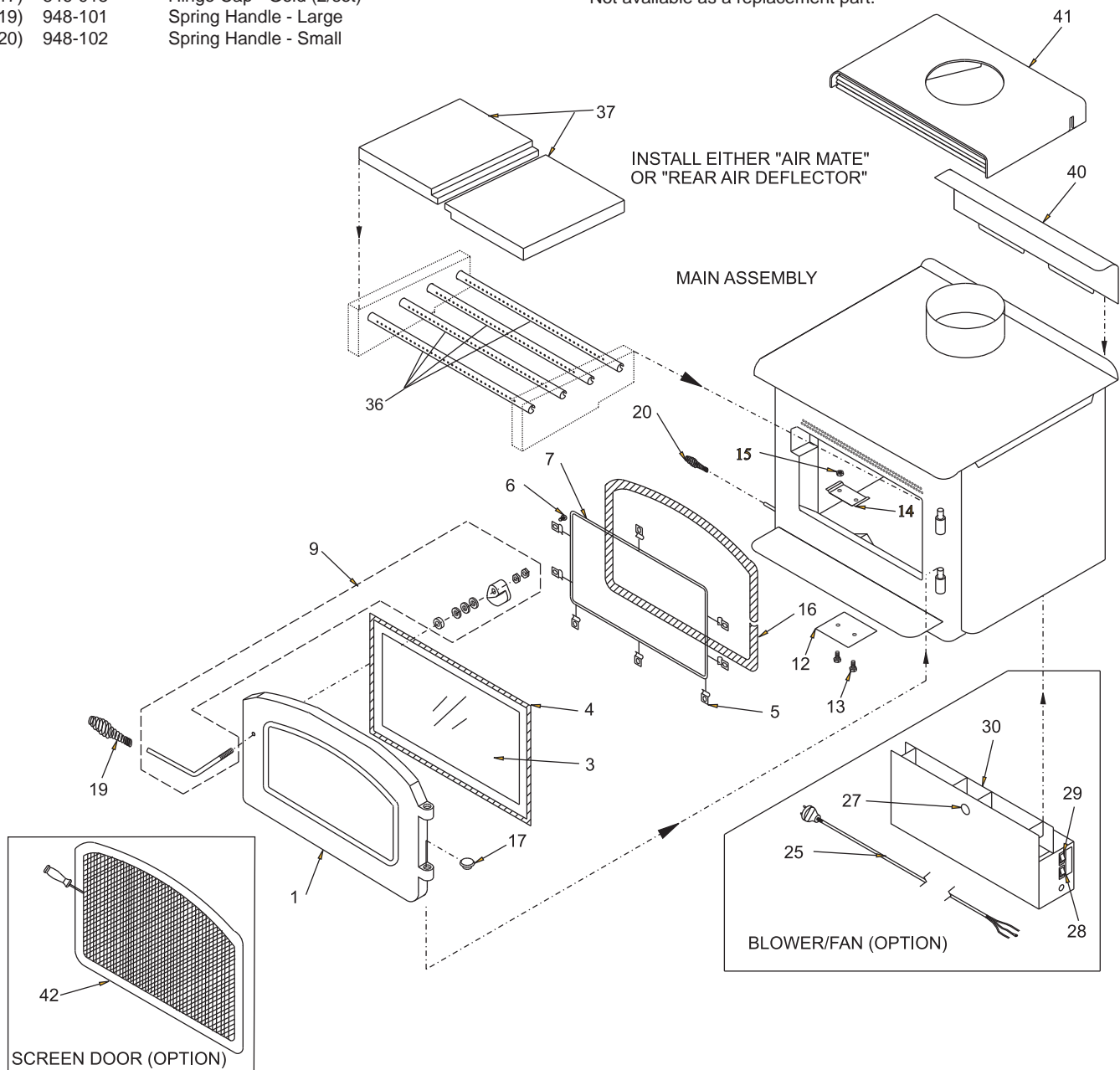
Store wood under cover, such as in a shed, or covered with a tarp, plastic, tar paper, sheets of scrap plywood, etc., as uncovered wood can absorb water from rain or snow, delaying the seasoning process.



## STOVE MAIN ASSEMBLY

Part #	Description	Part #	Description
1)	850-142 Door Assy-Med Gold	846-513	Complete Fan/Blower Assy (240 V)
	850-141 Door Assy-Med Black	25)	910-684 Power Cord (120 V)
3)	846-302 Glass - Replacement - F2402M	27)	910-142 Thermodisc - Fan Auto ON/OFF
4)	936-243 7/8" Adhesive Tape Gasket	28)	910-138 Manual/Auto Switch (2-way)
5)	820-184 Glass Retainer Clips (8/set)	29)	910-140 Fan Speed Switch HI/OFF/LOW (3-way)
6)	* Screw - 1/4 - 20 x 3/8"	30)	910-155/P Fan/Blower Motor (240 V)
7)	948-170/P Small Glass Retainer F2402M	36)	033-953 Air Tube - 3/4" F2402M (Qty: 4)
9)	846-973 Door Handle Assembly	37)	020-957 Baffle (set) F2402M
12)	820-375 Ash Hole Cover Plate	40)	815-557 Rear Air Deflector
13)	* Bolt 1/4 - 20 x 1/2 Hex Head	41)	850-105 Airmate - Medium
14)	820-376 Retainer Plate - Ash Dump - Top	42)	846-101 Screen Door
15)	* Nut - 1/4 - 20 Hex		
16)	846-570 7/8" Door Gasket Repair Kit	918-348	Manual
17)	846-918 Hinge Cap - Gold (2/set)		
19)	948-101 Spring Handle - Large		
20)	948-102 Spring Handle - Small		

\*Not available as a replacement part.

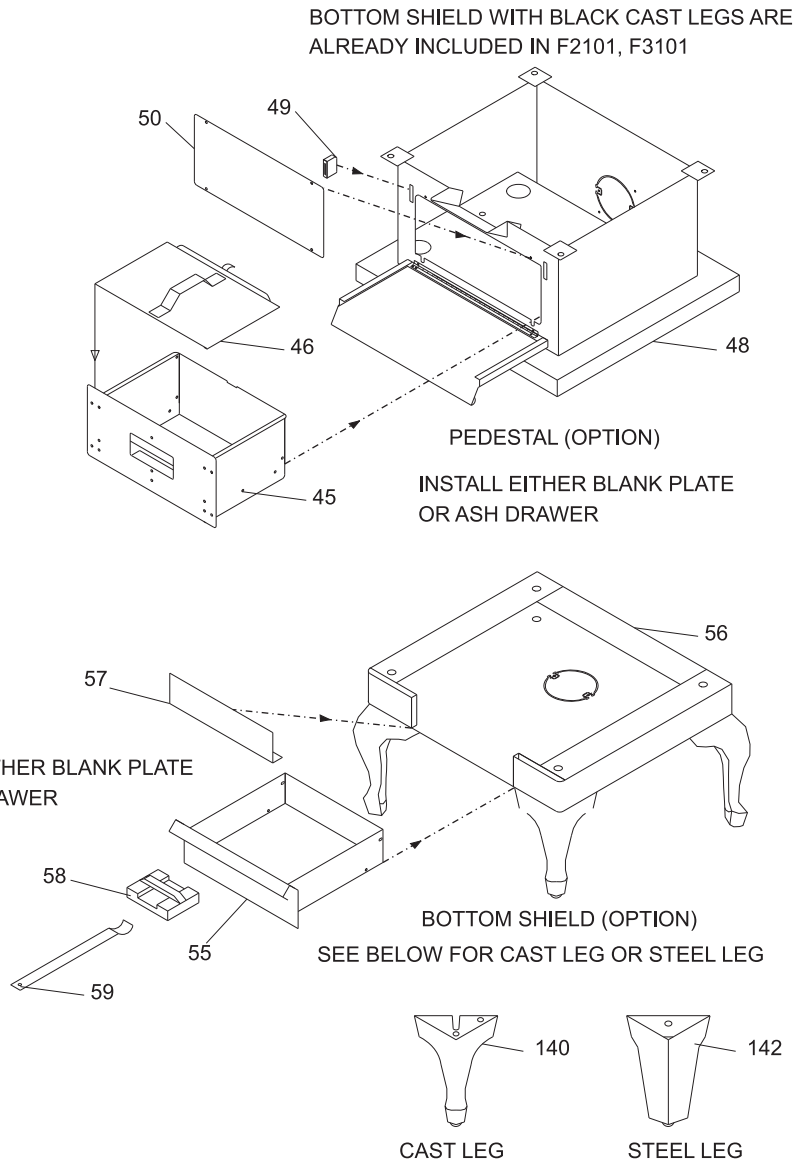


# PARTS LIST

## PEDESTAL, BOTTOM SHIELD & LEG OPTIONS

Part #	Description
48)	020-915 Pedestal - Medium
49)	904-257 Large Magnet Catch
50)	* Blanking Plate - Pedestal
	850-100 Ashdrawer Kit - Pedestal
45)	* Ashdrawer - Pedestal
46)	* Ashdrawer Lid Assy
58)	942-110 Ash Plug
59)	820-249 Ash Plug Tool Handle
56)	020-911 Bottom Shield - Medium
57)	* Blanking Plate - Btm Shield
	850-101 Ashdrawer Kit - Btm Shield
55)	* Ashdrawer - Bottom Shield
58)	942-110 Ash Plug
59)	820-249 Ash Plug Tool Handle
140)	850-126 Legs - Cast Black
	850-127 Legs - Cast Gold
	850-128 Legs - Cast Brush Nickel
142)	850-125 Legs - Steel Black
	948-216 Logo - Regency

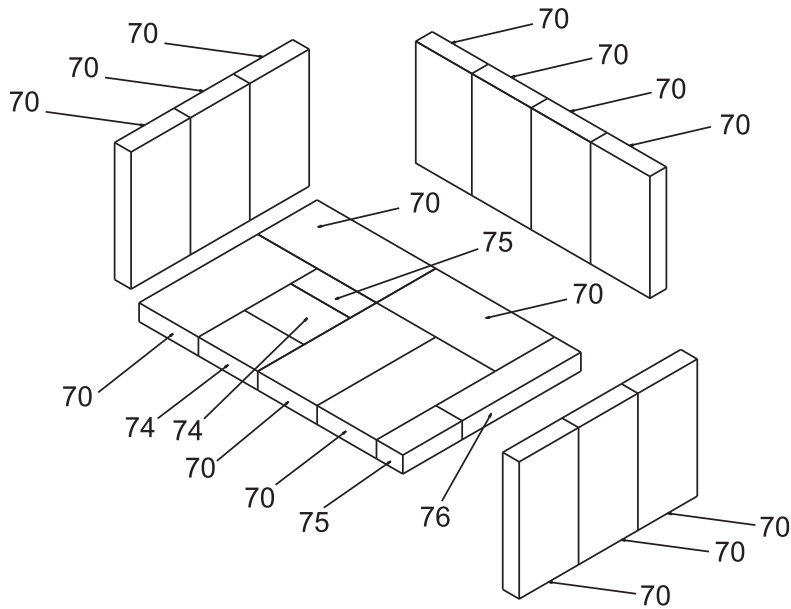
\*Not available as a replacement part.





## FIREBRICK

Part #	Description
020-960	Brick Set Complete
70)	Brick - Regular Full Size: 1-1/4" x 4-1/2" x 9"
74)	Brick Partial: 1-1/4" x 4-1/2" x 3-1/2"
75)	Brick Partial: 1-1/4" x 4-1/2" x 2"
76)	Brick Partial: 1-1/4" x 2" x 9"







---

---

---

---

---

---

---

---

---

---

---

---

---

---

---

---

---

---

---

---

---

---

---

---

---

---

---

---

---





Regency Fireplace Products are designed with reliability and simplicity in mind. In addition, our internal Quality Assurance Team carefully inspects each unit thoroughly before it leaves our door. Fireplace Products Australia Pty. Ltd. is pleased to extend this warranty to the original purchaser of a Regency Product. This warranty is not transferable.

**The Warranty:**

Covered under the agreement against manufacturer's defects from the date of purchase are the following components:

The Firebox for 15 years; **(Parts & labour for the first 5 Years and parts only thereafter)**  
Steel Baffles for 12 months;  
Cast Iron Liners / Baffles for 2 years;  
Electrical components (ie. fans, switches) for 12 months. **(Parts & labour from the invoiced purchase date)**

Regency Fireplace Products is not liable for freight or labour on any wood burning appliance replaced in field.

**Repair/replacement parts purchased by the consumer from Regency Fireplace Products after the original coverage has expired on the unit will carry a 90 day warranty, valid with a receipt only. Any item shown to be defective will be repaired or replaced at our discretion. No labour coverage is included with these parts.**

**Conditions:**

Any part or parts of this unit which in our judgement show evidence of such defects will be repaired or replaced at Regency Fireplace Product's option, through an accredited distributor or agent provided that the defective part be returned to the distributor or agent **Transportation Prepaid**, if requested. In areas where there is not an approved service agent or the closest approved service agent is situated more than thirty (30) kilometres from the installation, Regency is not obliged to arrange warranty repairs and travel and/or additional labour charges will apply.

It is the general practice of Regency Fireplace Products to charge for larger, higher priced replacement parts and issue credit once the replaced component has been returned to Regency Fireplace Products and evaluated for manufacturer defect.

The authorised selling dealer is responsible for all in-field service work carried out on your Regency product. Regency Fireplace Products will not be liable for results or costs of workmanship from unauthorised service persons or dealers.

At all times Regency Fireplace Products reserves the right to inspect product in the field which is claimed to be defective.

All claims must be submitted to Regency Fireplace Products by authorized selling dealers. It is essential that all submitted claims provide all of the necessary information including customer name, purchase date, serial #, type of unit, problem, and part or parts requested, without this information the warranty will be invalid.

**Exclusions:**

This warranty does not extend to or include paint, door or glass gasketing, neo-ceramic glass, firebrick or trim. It does not cover installation and operational related problems such as over-firing, use of corrosive driftwood, downdrafts or spillage caused by environmental conditions, nearby trees, buildings, hilltops, mountains, inadequate flueing or ventilation, excessive offsets, negative air pressures caused by mechanical systems such as furnaces, fans, clothes dryers etc.

At no time will Regency Fireplace Products be liable for any consequential damages which exceed the purchase price of the unit. Regency Fireplace Products has no obligation to enhance or modify any unit once manufactured. ie. as products evolve, field modifications or upgrades will not be performed.

Regency Fireplace Products will not be liable for travel costs for service work.

Installation and environmental problems are not the responsibility of the manufacturer and therefore are not covered under the terms of this warranty policy.

Any unit which shows signs of neglect or misuse is not covered under the terms of this warranty policy.

The warranty will not extend to any part which has been tampered with or altered in any way, or in our judgment has been subject to misuse.

Freight damage to stoves and replacement parts is not covered by warranty and is subject to a claim against the freight carrier by the dealer.

Regency Fireplace Products will not be liable for acts of God, or acts of terrorism, which cause malfunction of the appliance.

Performance problems due to operator error will not be covered by this warranty policy.

Products made or provided by other manufacturers and used in conjunction with the operation of this appliance without prior authorisation from Regency Fireplace Products may nullify your warranty on this product.

# Register your Regency® warranty online

## [www.regency-fire.com.au](http://www.regency-fire.com.au)



### Reasons to register your product online today!

- View and modify a list of all your registered products.
- Request automatic email notification of new product updates.
- Stay informed about the current promotions, events, and special offers on related products.
- Help assure you get the most out of your warranty.
- Eliminate confusion and frustration if warranty\*\* service is required in the future.

\*\* Proof of purchase required at time of warranty request.

***Installer: Please complete the following information***

**Dealer Name & Address:** \_\_\_\_\_

\_\_\_\_\_

**Installer:** \_\_\_\_\_

**Phone #:** \_\_\_\_\_

**Date Installed:** \_\_\_\_\_

**Serial No.:** \_\_\_\_\_